



# INSTALLATION MANUAL

## CONCEALED 2-HANDLE WASHBASIN MIXER

### ITEM NO.: AB1796



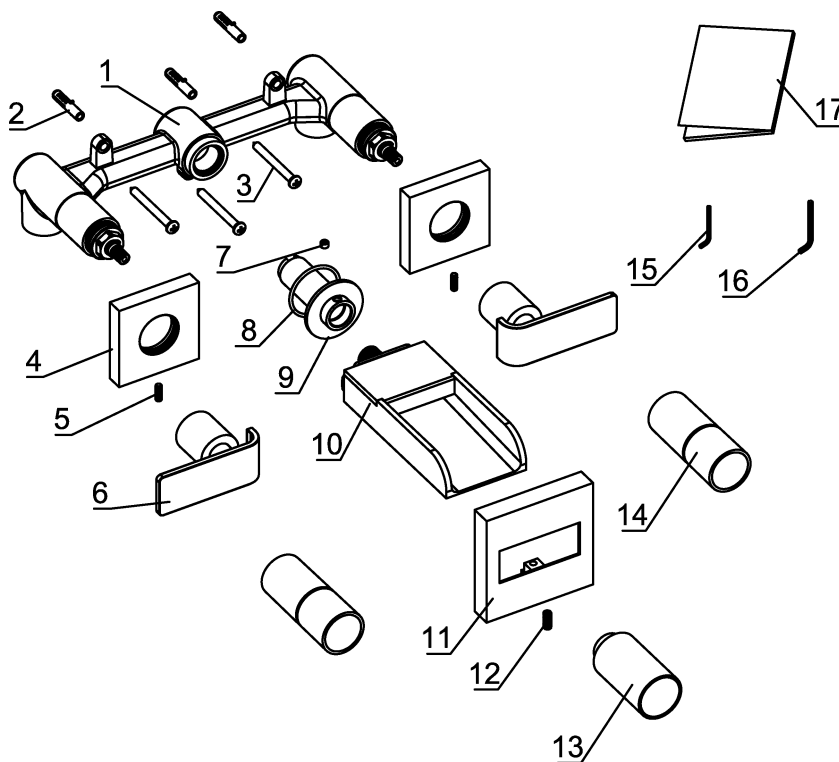
### ✳️ COMPONENTS CHECKING

#### LIST OF THE STANDARD COMPONENTS:

Please double-check the component list hereinafter and contact our company or our distributor for any unconformity.

Remarks: 1. Without affecting their performing, components may be changed without further notice.

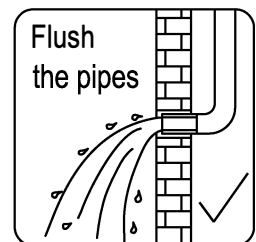
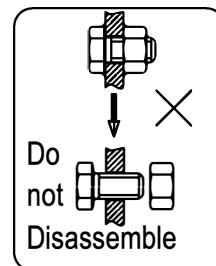
2. Drawings for reference only. Product size & shape refer to actual faucet.



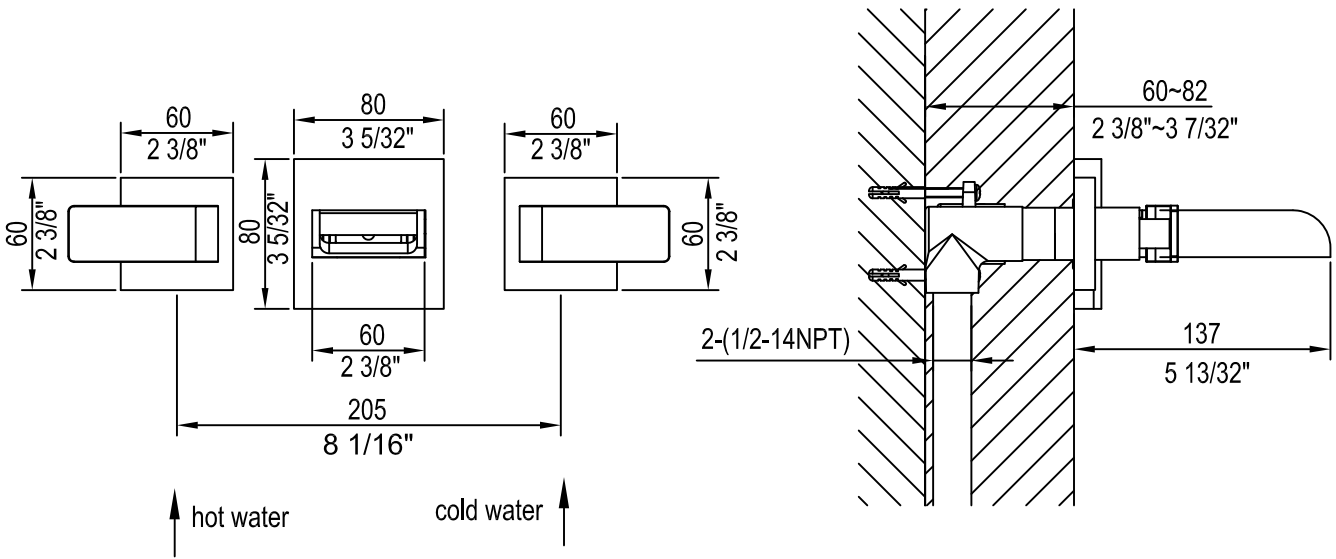
Component List	Qty.
1. Concealed body	1
2. Expansion plug	3
3. Self-tapping bolt	3
4. Plate A	2
5. Screw A	2
6. Handle	2
7. Screw B	1
8. O-ring	1
9. Positioning pipe	1
10. Spout	1
11. Plate B	1
12. Screw C	1
13. Plastic guard A	1
14. Plastic guard B	2
15. Allen wrench(2.0)	1
16. Allen wrench(2.5)	1
17. Manual	1

### ✳️ Installation Instructions

- ☆ Do not disassemble the concealed body, as it has been installed & commissioned correctly & precisely before leaving the factory.
- ☆ To avoid the faucet from jamming, do flush the water pipes before installation.
- ☆ After installation, make sure every joint is safely sealed & no leaking.
- ☆ The nominal water pressure is 0.05 -1.0Mpa (including cold & hot water pressure), suitable for water temperature : 4°C - 90°C.
- ☆ Make sure to connect the hot/cold inlet pipe correctly, if standing in front, hot water pipe connecting to the left & cold water pipe connecting to the right.



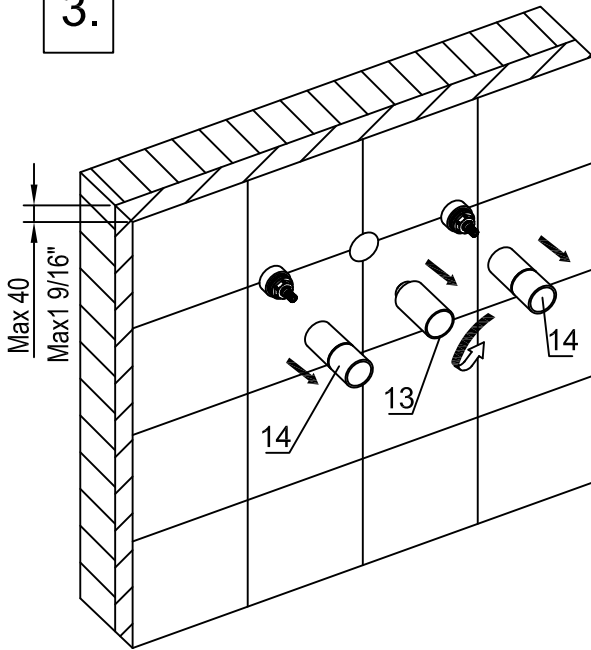
## ※ Dimension Drawing



## ※ Installation Procedures

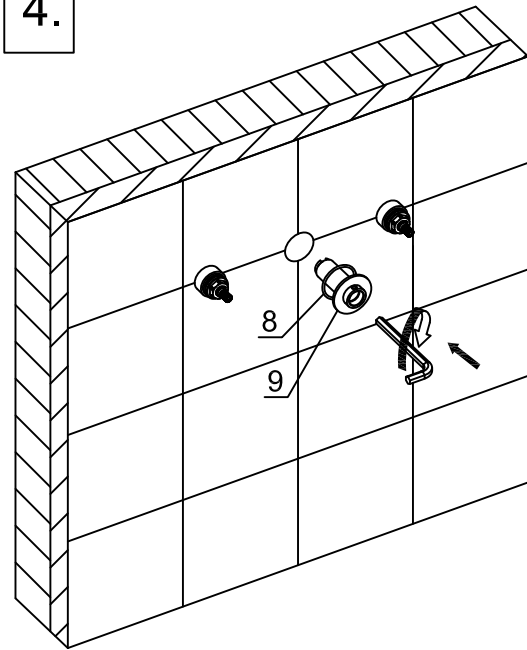
<p><b>1.</b></p> <p>Dig wall view.</p>	<p><b>2.</b></p> <p>hot water</p> <p>cold water</p>
<p>1. Measure the positions of the 3-<math>\varnothing 6</math> holes in the wall space of pre-digged, knock the expansion plugs(2) into the holes.</p>	<p>2. Fix the concealed body (1) into the wall with the self-tapping bolts(3). After connecting the water supplying pipes, test the tightness according to the following water pressure conditions:</p> <p>1) While closing of controlling valves &amp; the water supplying pipes blocked:  <math>\leq 1.6\text{Mpa}</math> to test the supplying pipes and concealed valve.</p> <p>2) While opening of controlling valves, do not block the water supplying pipes:  <math>\leq 0.4\text{Mpa}</math> to test the supplying pipes and concealed valve.</p>

3.



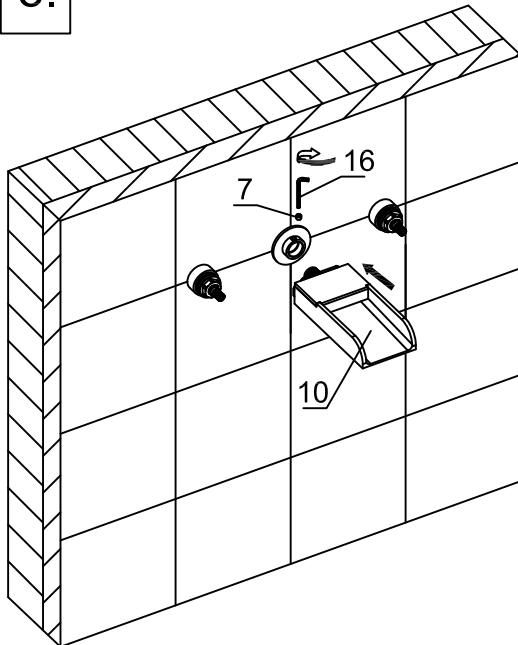
3. After tightness testing, put on all plastic guards A & B, fill up the wall space and make sure 40mm is the maximum thickness of the wall, after fitment, the thickness of wall should be within the adjustable range. Remove the plastic guards only after drying of the cement.

4.



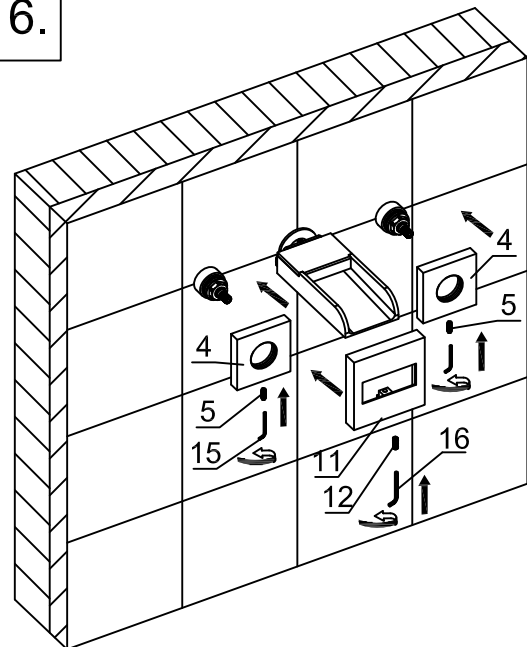
4. Screw the positioning pipe(9) with the O-ring(8) into the outlet of concealed body with a allen wrench.

5.

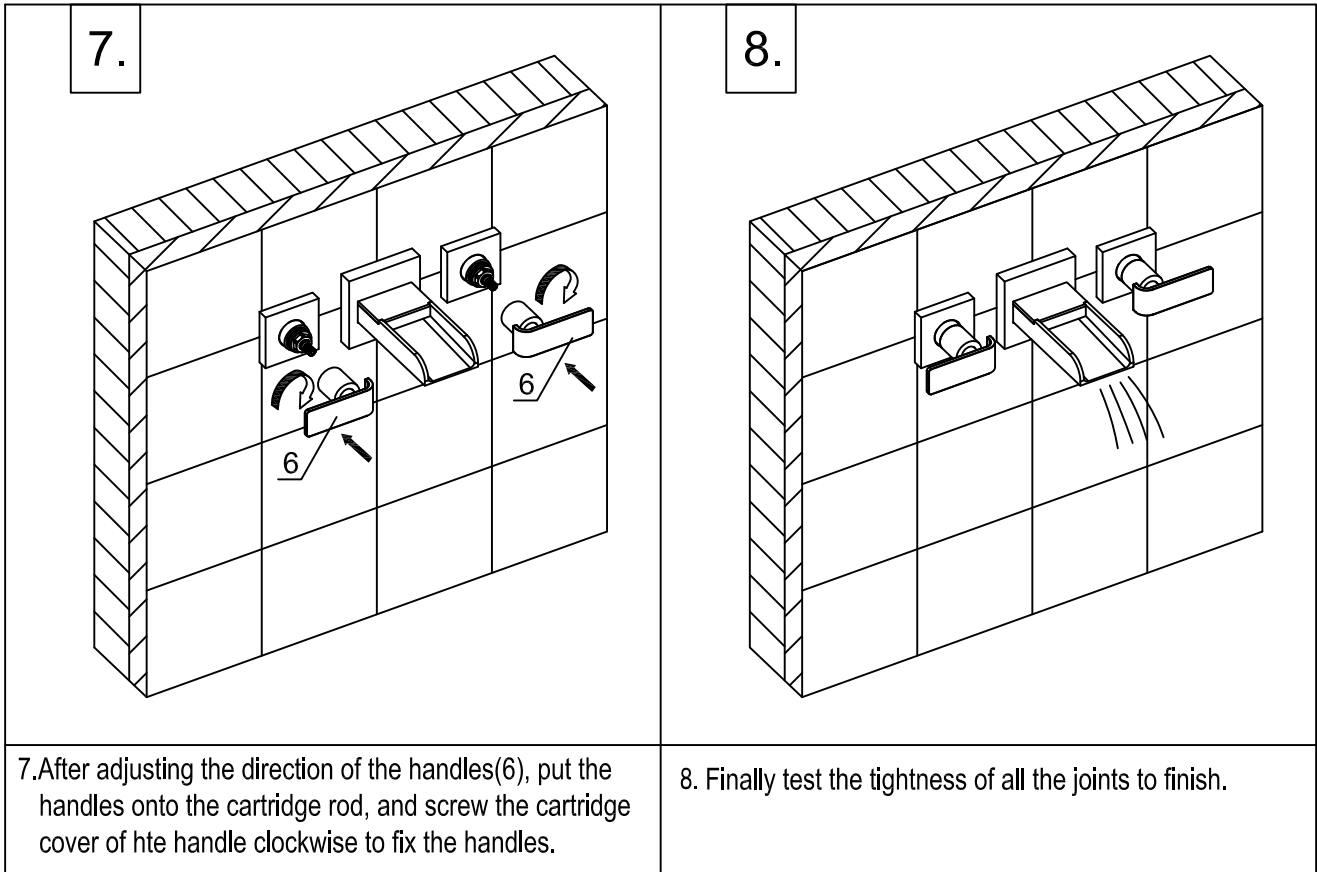


5. Put the spout(10) into the positioning pipe, after adjusting the direction of the spout, tighten the screw B(7) with the allen wrench(2.5).

6.



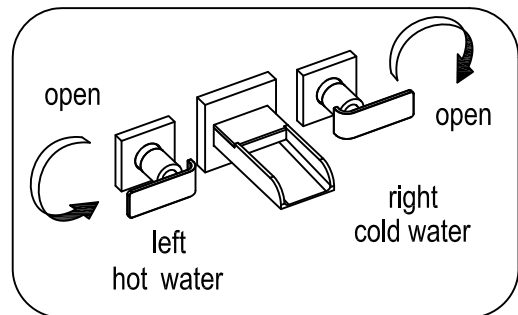
6. Put the plate A & B into the concealed body and spout, after adjusting the direction, fix plates with the screw A & C(5, 12) with the allen wrenches.



### ※ Usage:

☆ The usage of the handle:

- A) Control hot water with the left handle, and cold water with the right one.
- B) Turn the right handle clockwise to open the right valve. The more you turn, the larger flow rate you will get. To close or reduce the flow rate, just turn opposite way. To open the left valve, just operate in reverse.



### ※ Cleaning & Maintenance

☆ To keep the product clean & shining, follow the steps as below:

1. Flush with clean water & dry with soft cloth only.
2. If any dirt, clean with soft liquid or transparent glass detergent.
3. Do not use any scrubbing detergent, polisher, sand-cloth, paper tissue or scraper.
4. Do not use acid detergent, indissolvable grain-like detergent or soap.
5. Circumrotate the aerator off and clean it when necessary.



※ This installation instruction is only for your reference, the final right to explain & to revise it belongs to us.