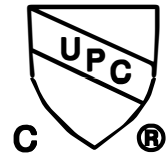




INSTALLATION MANUAL

FREE-STANDING SHOWER / BATH MIXER

ITEM No.: AB2180



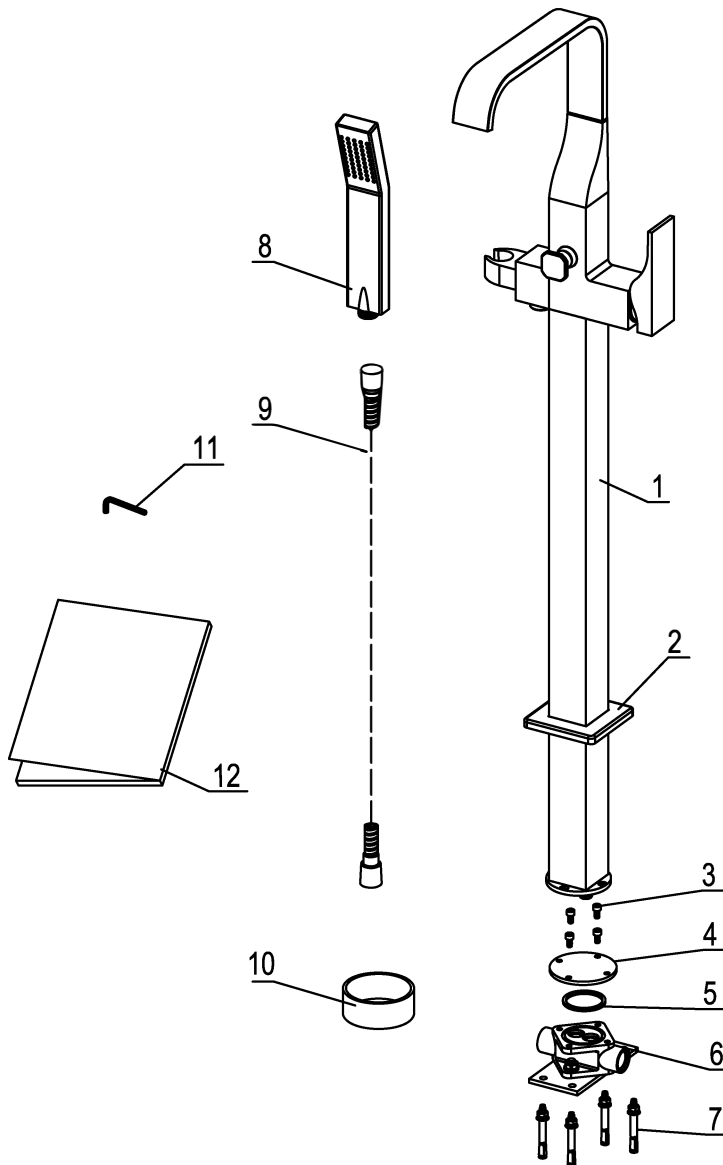
✳️ Components Checking

LIST OF COMPONENTS:

Please double-check the components list hereinafter and contact us or our distributor for any unconformity.

Remarks: 1. Without affecting their efficiency, components may be changed without further notice.

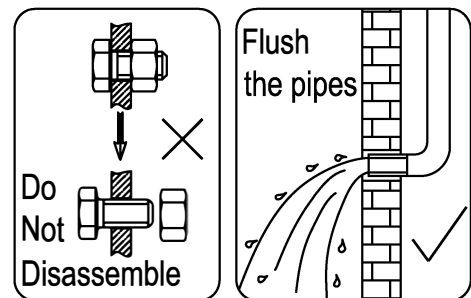
2. Drawings for reference only. Product size & shape refer to actual faucet.



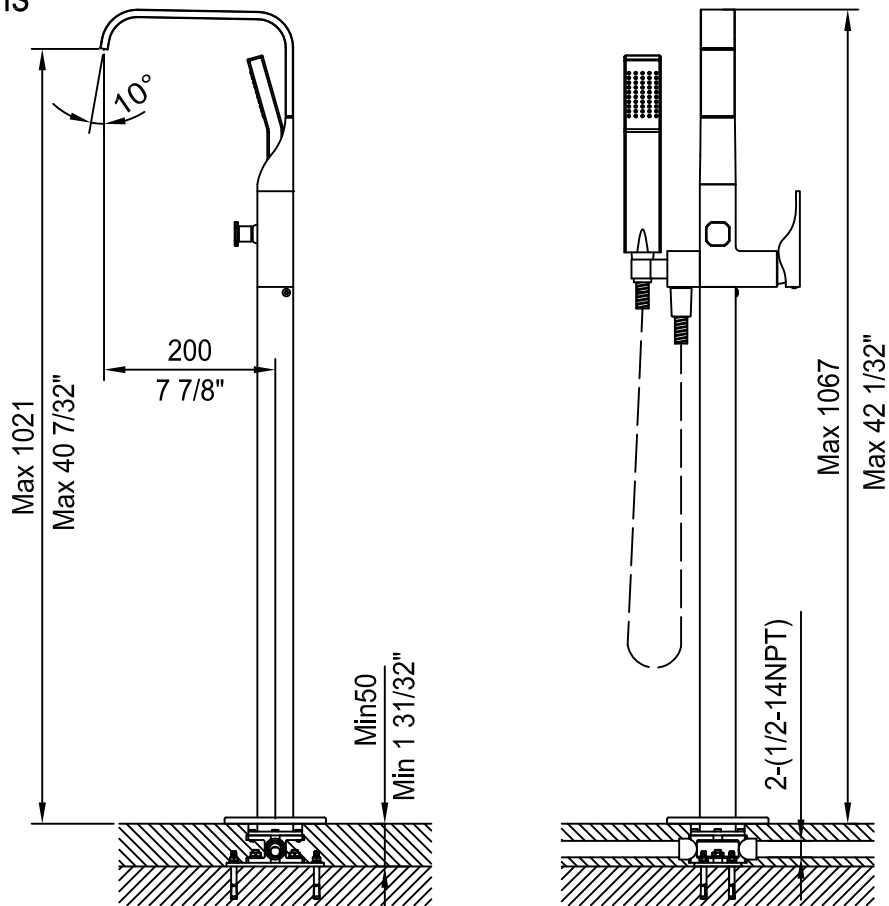
The Component List	Qty.
1.Main body	1
2.Decorative cover	1
3.Screw	4
4.Protective board	1
5.Washer	1
6.Base	1
7.Expansion plug	4
8.Hand shower	1
9.Shower hose	1
10.Protective ring	1
11.Allen Key	1
12.Manual	1

✳️ Installation instructions:

- ☆ Do not disassemble the main body, as it has been installed & commissioned correctly & precisely before leaving the factory.
- ☆ To avoid the faucet from jamming, do flush the water pipe before installation.
- ☆ After installation, make sure every joint are safely sealed & no leaking.
- ☆ The nominal water pressure is 0.05 -1.0Mpa (including cold & hot water pressure), suitable for water temperature : 4°C - 90°C.
- ☆ Make sure to connect the hot/cold inlet pipe correctly, if standing in front, hot water pipe connecting to the left & cold water pipe connecting to the right.



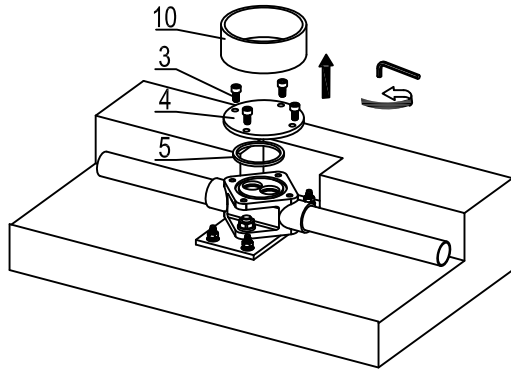
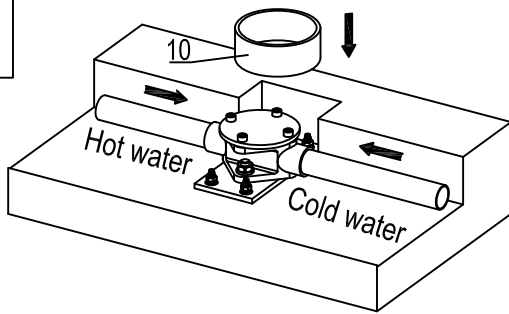
✳️Dimensions



✳️Installation procedures

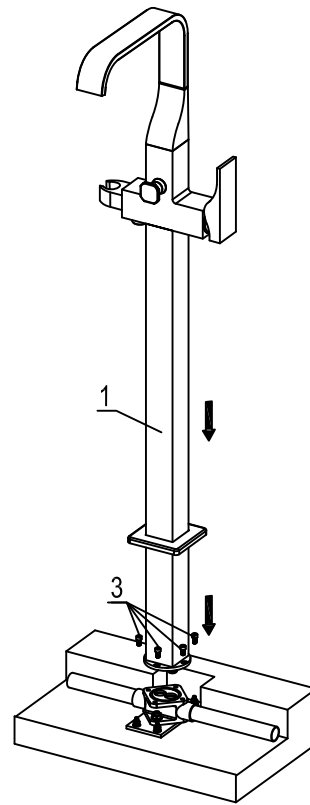
<p>1.</p>	<p>2.</p>
<p>1. After selecting proper position, drill a mounting hole as shown above. If the thickness of decoration layer ≥ 50mm, please install on the floor directly.</p>	<p>2. As shown on the fig, insert the base (6) with protective board (4), washer (5) and expansion plug (7) to mounting hole. After adjusting proper position, mark the drill holes accordingly. Then drill 4 holes with size $\text{Ø}8$ on the marking places, then put the expansion plugs (7) into the holes respectively.</p>

3.



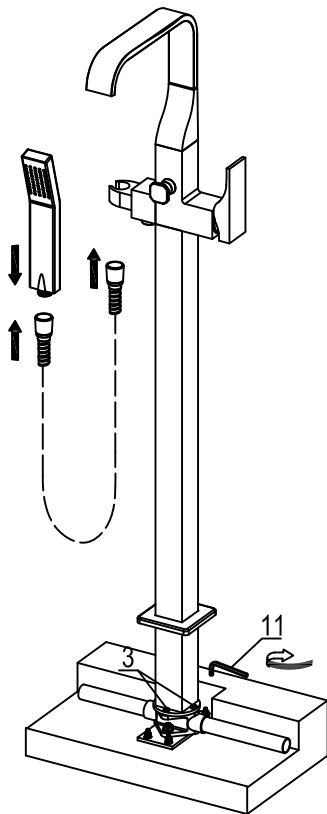
3. After connecting hot and cold supply, turn on mixer to check for leakage with testing water pressure $\leq 1.6\text{MPa}$. After testing, install protective ring(10) onto the base, then furnish the floor according to the construction. Remove the protective ring, screw(3), protective board(4) and washer(5) when the cement is dry.

4.



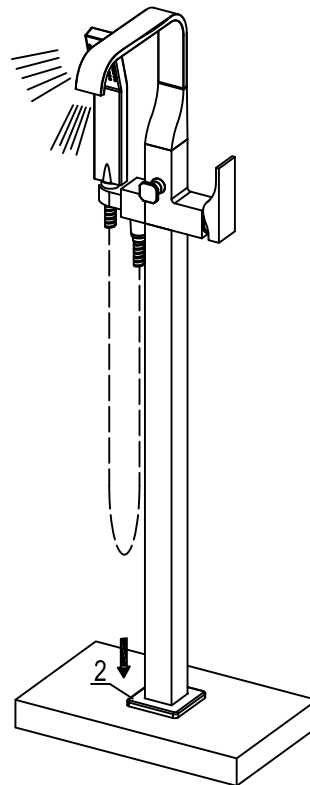
4. Install the mainbody(1) as shown on the Fig. Fix the main body on the base with screws.

5.



5. Tighten screws(3) with allen key(11). Then connect hand shower(8) and Main body with shower hose(9).

5.

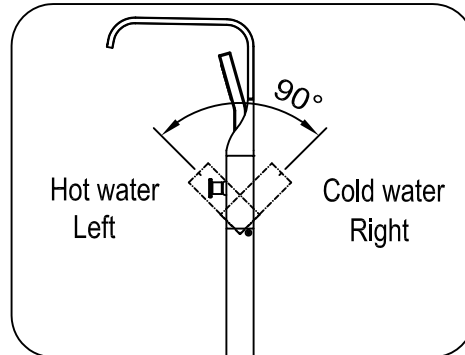
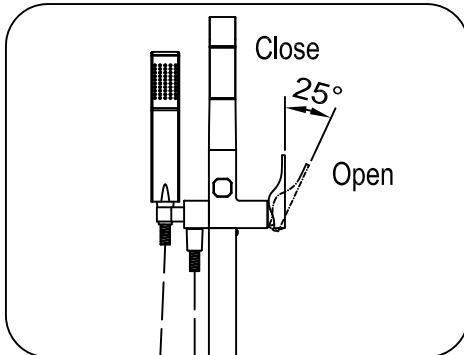


6. Check for leakage after installation. Finally, push down the decorative plate (2) close to floor.

✳️ Usage:

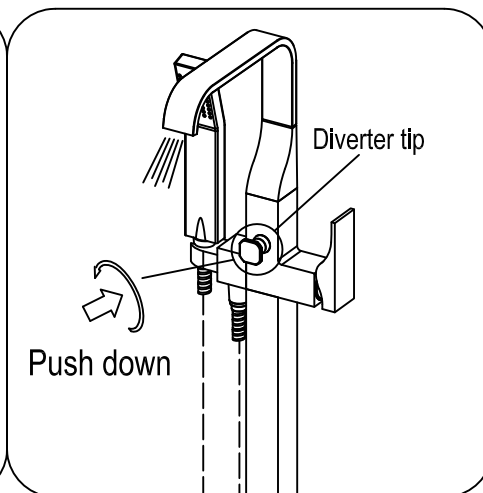
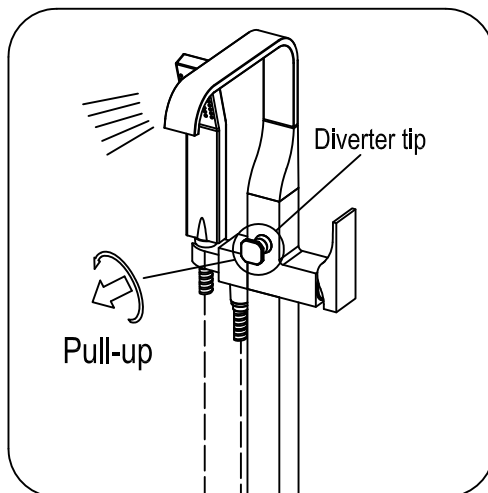
☆ The usage of the handle:

- 1) Raise the handle to make the water flow out, contrarily the water flow will stop.
- 2) Turn the handle to the left, the hot water flow will be stronger and temperature will be higher, contrarily the temperature will be decreased.



☆ The usage of the Diverter:

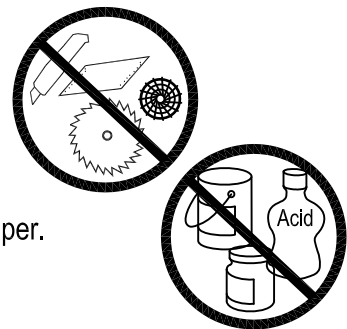
- 1) Push down the diverter tip to switch water from handshower to spout.
- 2) Pull-up the diverter tip to switch water from spout to hand shower.



✳️ Cleaning & Maintenance

☆ To keep the product clean & shining, follow the steps as below:

1. Flush with clean water & dry with soft cloth only.
2. If any dirt, clean with soft liquid or transparent glass detergent.
3. Do not use any scrubbing detergent, polisher, sand-cloth, paper tissue or scraper.
4. Do not use acid detergent, indissolvable grain-like detergent or soap.
5. Take out the aerator and flush away dirt when necessary.



✳️ This installation manual is only for your reference, the final right to explain & revise is belongs to us.