



Installation Instruction

Thermostatic concealed 2-way shower mixer

Item no.: **AB2830**

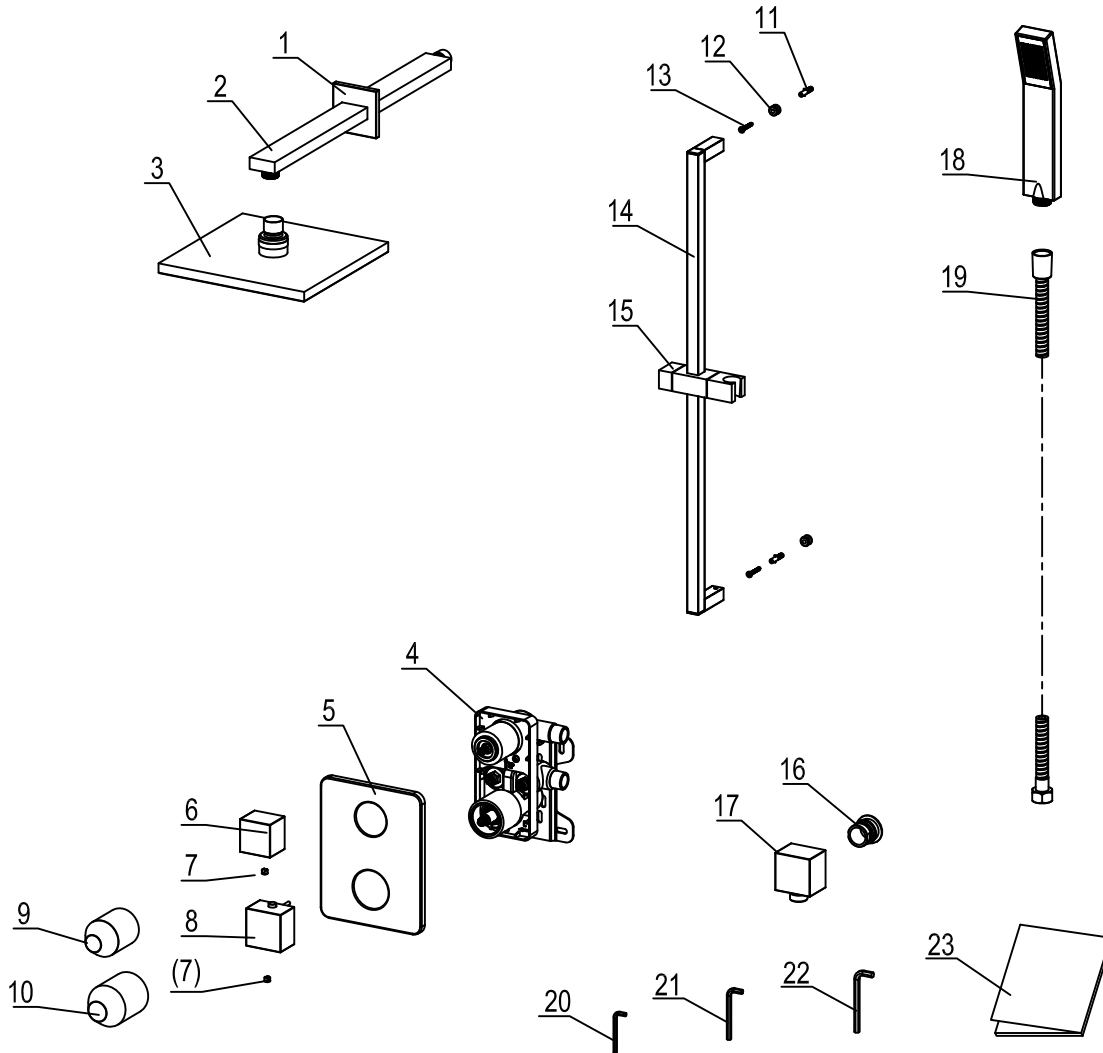
※ACCESSORIES CHECKING

LIST OF THE STANDARD ACCESSORIES:

Please double-check the accessory list hereinafter and contact our company or our distributor for any unconformity.

Remarks:

1. Without affecting their performing, accessories may be changed without further notice.
2. Drawings for reference only. Product size & shape refer to actual faucet.



Component	Qty	Component	Qty	Component	Qty	Component	Qty
1. Decorative plate A	1	7. Decorative plug	2	13. Self-tapping screw	2	19. Shower hose	1
2. Shower arm	1	8. Temperature handle	1	14. Sliding rail	2	20. Allen wrench A	1
3. Overhead shower	1	9. Plastic gaud A	1	15. Shower hook	2	21. Allen wrench B	1
4. Concealed body	1	10. Plastic gaud B	1	16. Connector lug	2	22. Allen wrench C	1
5. Decorative plate B	1	11. Expansion plug	2	17. Shower union	1	23. Manual	1
6. Diverter handle	1	12. Fixing hook	2	18. Hand shower	1		

※ Features & specifications:

1. Applicable water pressure 0.03-0.6MPa, best among 0.1-0.5MPa, max tolerance between cold & hot water pressure: 0.6MPa.
2. Temperature for hot water supply 50°C-80°C, suggested using temperature 60°C-70°C, and cold water supply temperature 5°C-25°C.
3. Preset conditions for thermostatic cartridge: hot water 65°C, cold water 12°C and water pressure 0.3MPa. Default temperature 38°C, temperature will be slightly different due to pressure or other present conditions.
4. Using temperature for thermostatic cartridge: 15°C-50°C±1°C.
5. The switch handle controls hot & cold water and the flowrate.
6. With 38°C safeguard button, you could avoid scald from overheat.
7. Self-balancing pressure for hot and cold water, and its compensating function.
8. Anti-scald device actions when cold water supply cut off suddenly.
9. No glue to use for connecting the hot & cold water pipes to the mainbody.

※ Pipes testing attentions

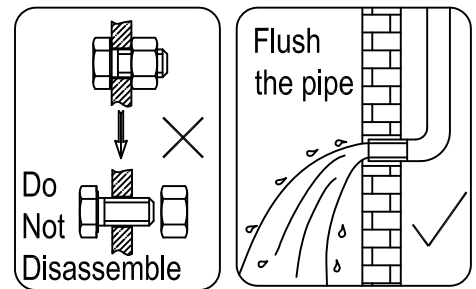
- ☆ Turn off faucet, set up max pressure 1.6Mpa±0.05Mpa for the supplying pipes to test sealability.
- ☆ Turn on faucet, block water outlets up and down, set up the max pressure 0.4Mpa±0.02Mpa for the supplying pipes to test the sealability again.

※ Attentions:

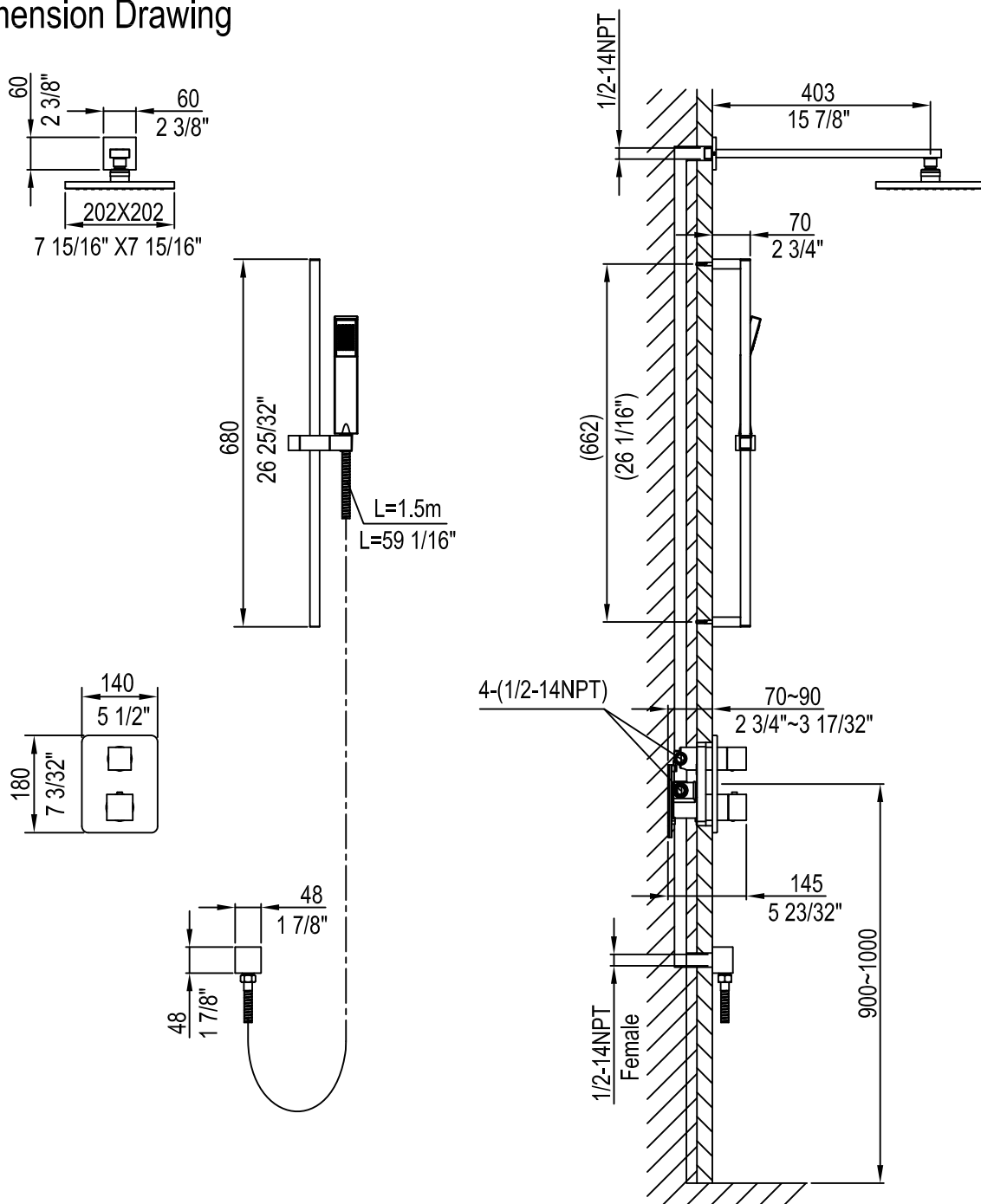
1. Product using pressure 0.3-0.6MPa (distance between water tank and the faucet: no less than 3 meters), pls use the pressure motor when the pressure is too low, on the contrary, to reduce pressure when it's too high.
2. Pls choose the pressure motor on basis of stable pressure, we could not guarantee that gas heater is suitable to use with the faucet.
3. Do not disassemble the main body, as it has been installed & commissioned correctly & precisely before leaving the factory.
4. To avoid faucet from jamming, do flush the water pipe before installation.
5. Make sure to connect the hot/cold water inlet pipes correctly, if standing in front, hot water pipe connect to the left & cold water pipe connecting to the right.
6. Max temperature for hot water supply 80°C, the thermostatic cartridge will lose effectiveness or even being damaged due to overheat exceeds 80°C.
7. Test the water tightness on every joint & make sure no leaking after installation.
8. Pls clean the thermostatic cartridge with water regularly.
9. Warranty period: 1 year limited liability, not including damages arisen from improper installation and improper use.
10. Do use the our spare parts for replacement if any maintenance needed.

※Installation instructions:

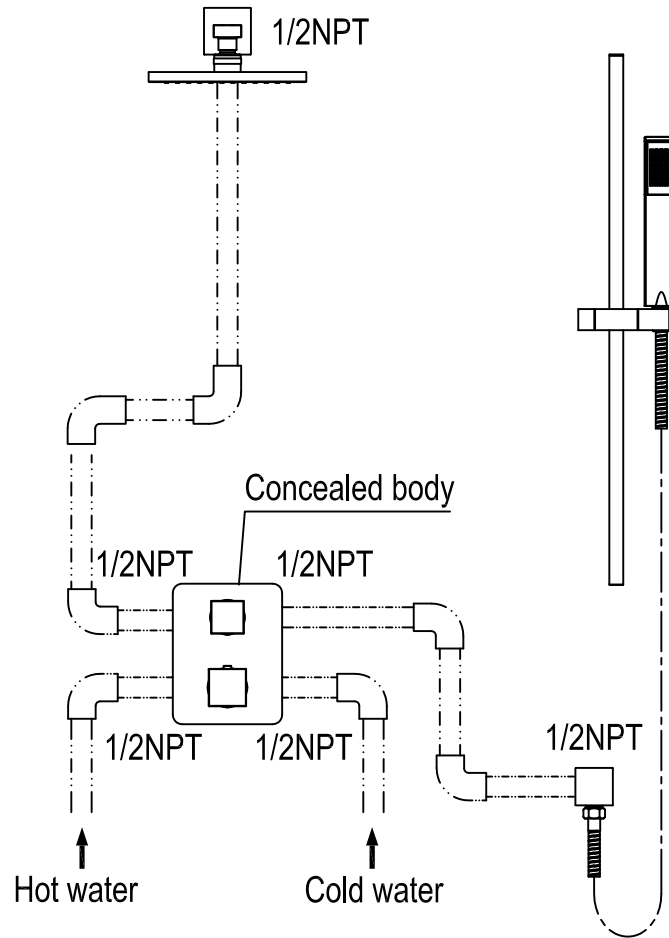
- ☆ Do not disassemble the main body, as it has been installed & commissioned correctly & precisely before leaving the factory.
- ☆ To avoid the faucet from jamming, do flush the water pipe before installation.
- ☆ After installation, make sure every joint safely sealed & no leaking.
- ☆ The nominal water pressure is 0.05 -1.0Mpa (including cold & hot water pressure), suitable for water temperature : 4℃ - 90℃.
- ☆ Make sure to connect the hot/cold inlet pipe correctly, if standing in front, hot water pipe connecting to the left & cold water pipe connecting to the right.



※Dimension Drawing

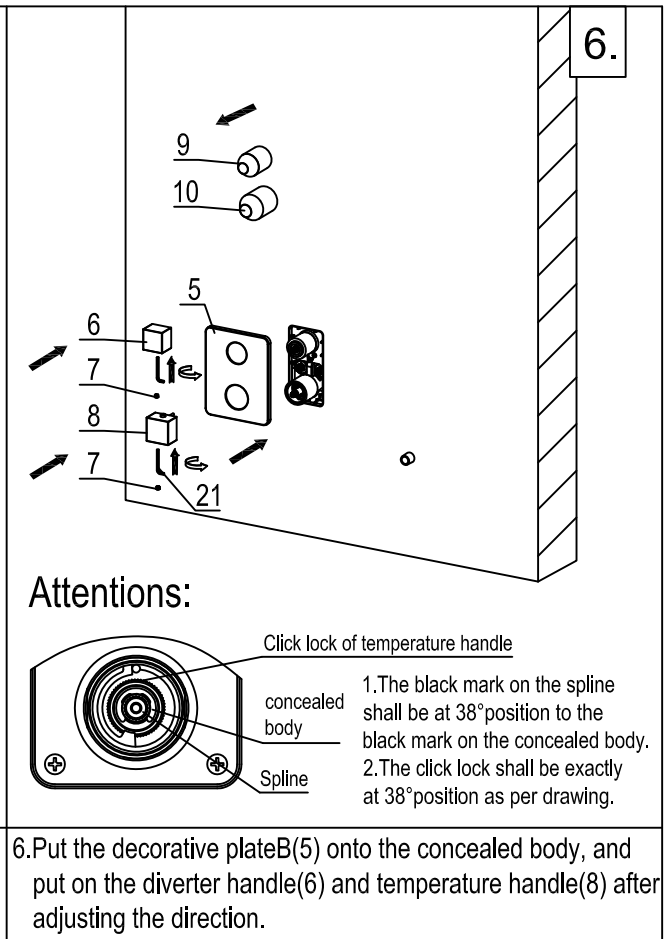
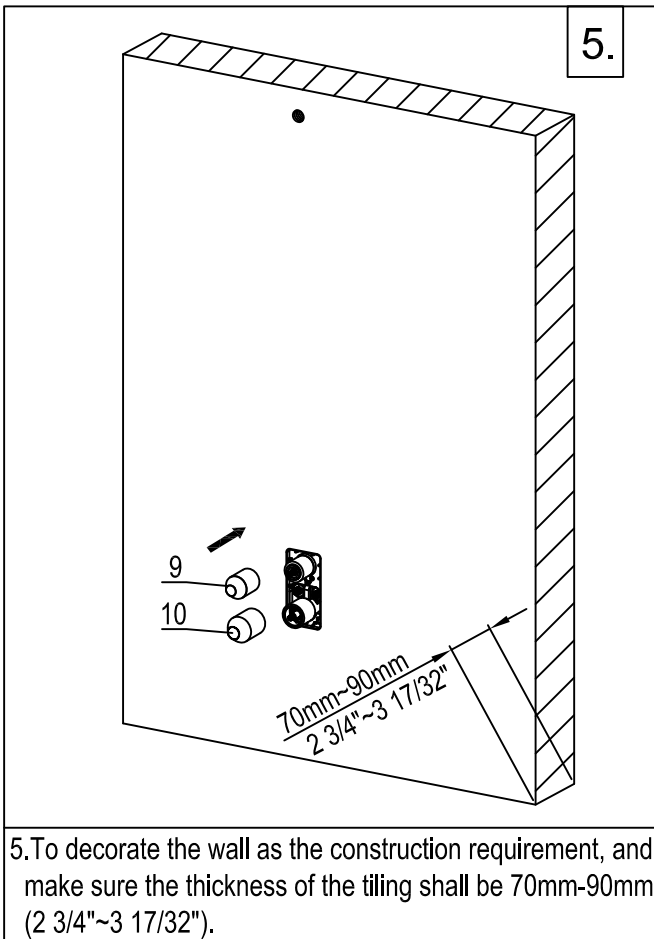
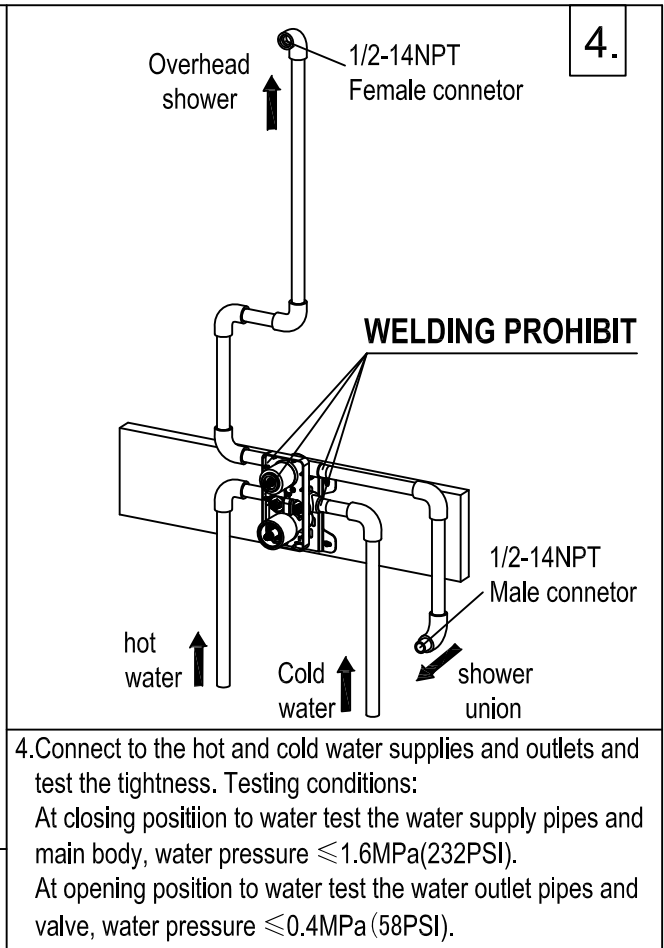
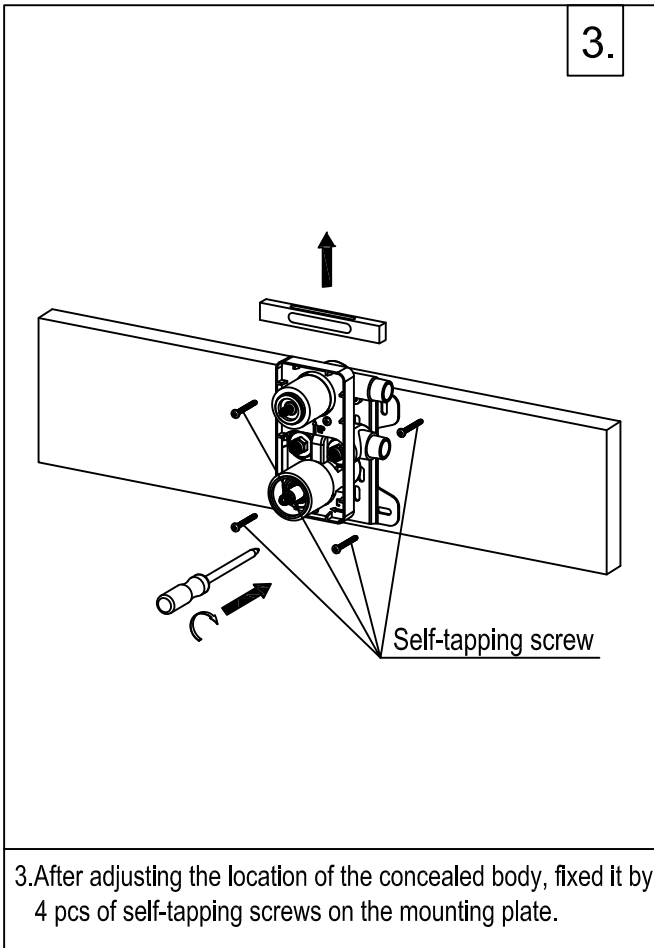


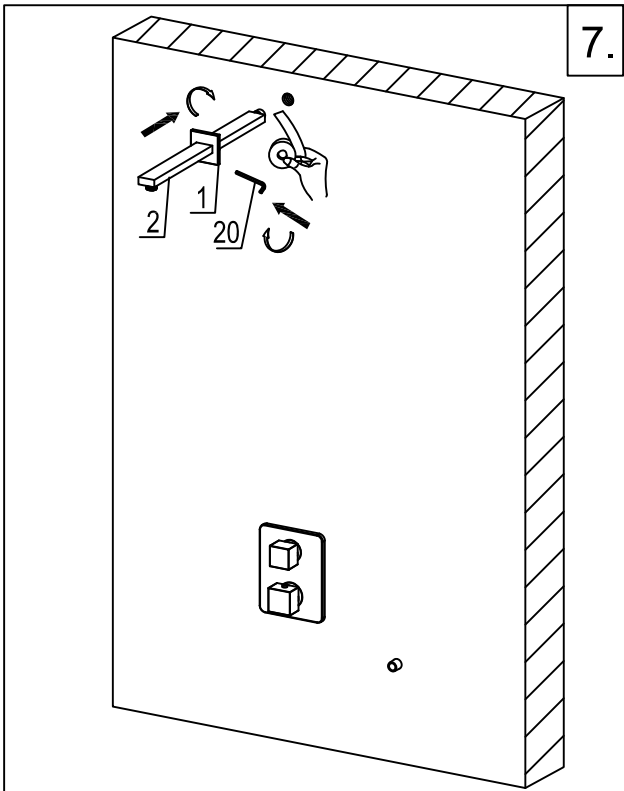
※Pipe instruction



※Installation Procedures

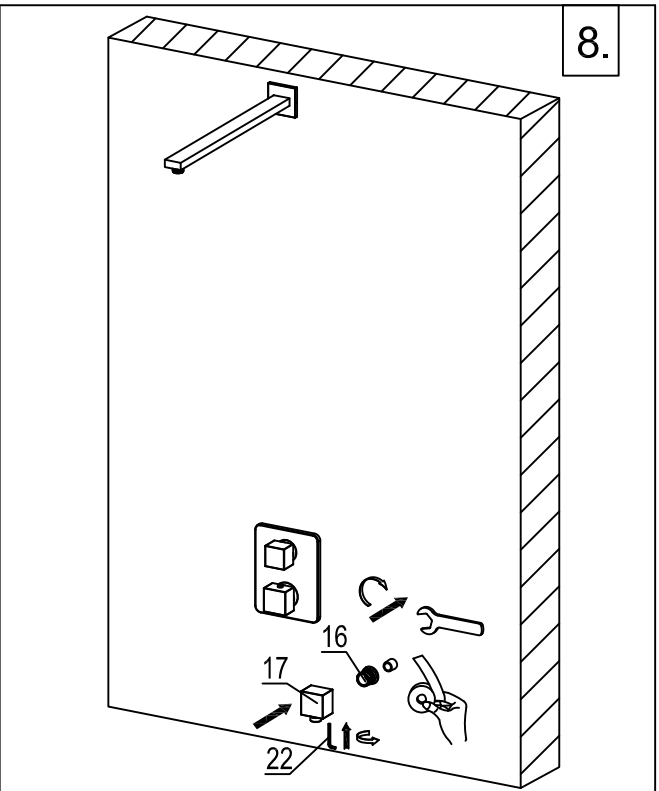
<p style="text-align: right;">1.</p>	<p style="text-align: right;">2.</p>
<p>1. Consider the thickness of the decorated wall according to the dimension drawing before fixing the mounting plate.</p>	<p>2. Use the concealed body(4) for positioning, put a level bar on plastic guard of the concealed body and set a level bar to make drilling marks.</p>





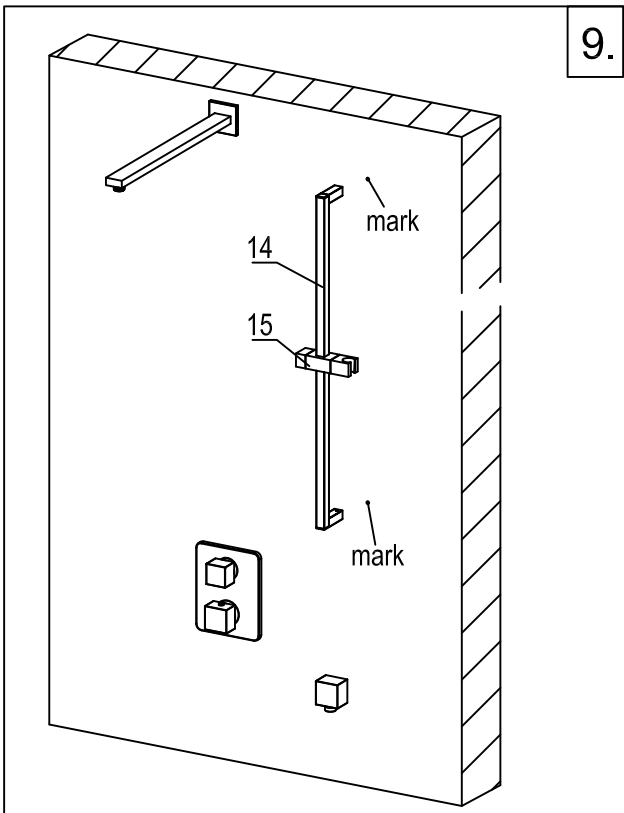
7.

7. After wrapping PTFE tape on 1/2NPT thread of the shower arm(2), screw shower arm into oblique female connector, and adjust its direction, then fix the decorative plate A(1) on the shower arm and close the wall.



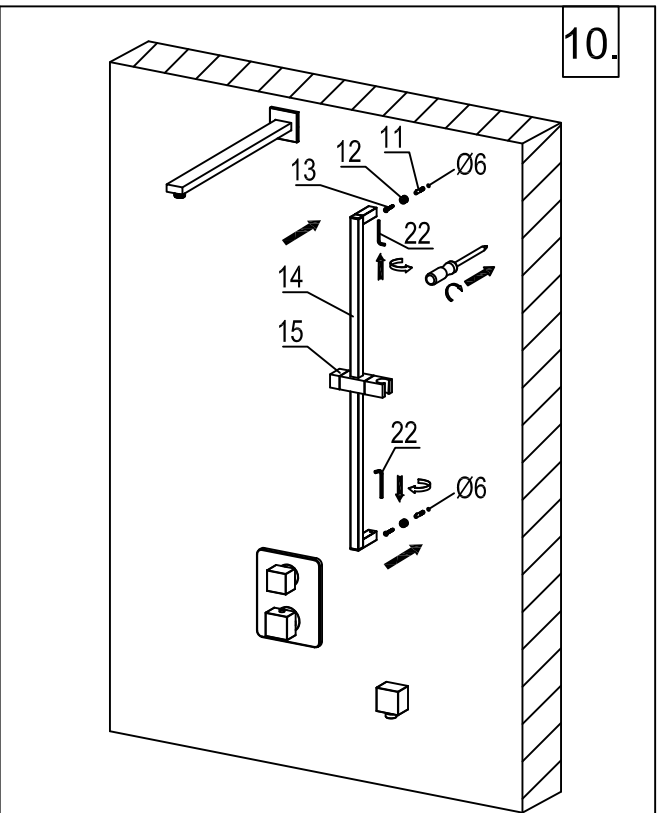
8.

8. After wrapping PTFE on oblique male connector, screw the connector lug(16) into oblique male connector with a wrench, then fix shower union(17) into the connector lug and adjust the shower union direction.



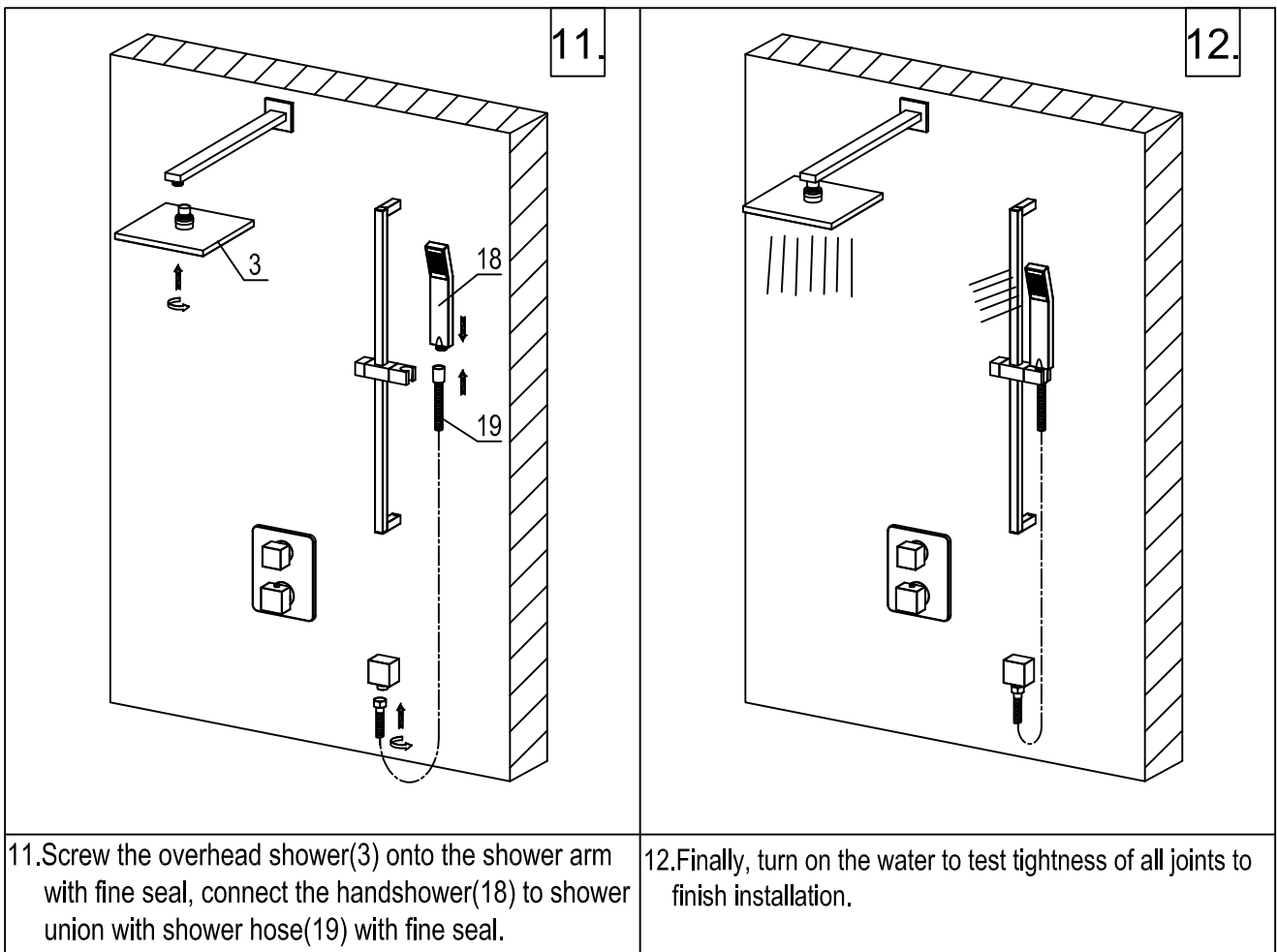
9.

9. Use the sliding rail(14) for positioning to make drilling marks at a suitable place on the wall.



10.

10. Dig 2-Ø6mm holes, knock the expansion plugs(11) into the holes, fix the fixing hooks(12) on the wall with the self-tapping screws(13), then fix the sliding rail into the fixing hooks .



✳ Usage

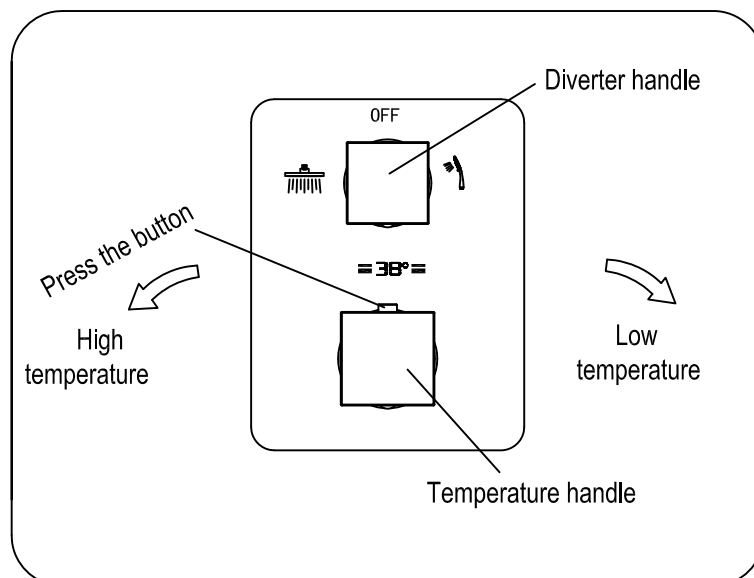
☆ Usage of temperature adjustment:

temperature handle is the under one,

1) When the button at the top, water temperature is about 38°C.

2) Turn the temperature handle clockwise to the right, water temperature is decrease.

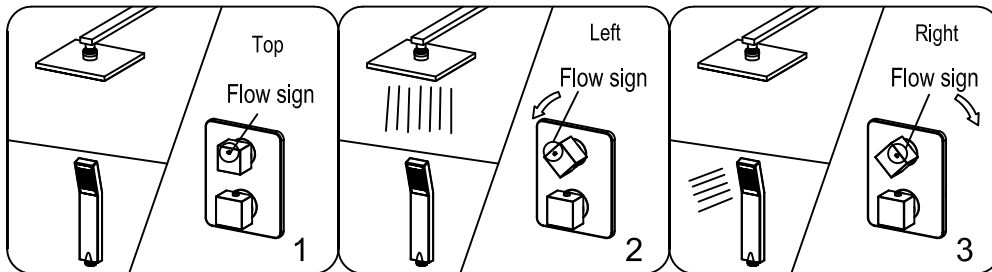
3) Press down the button and turn the temperature handle anti-clockwise to the left, water temperature is increase.



☆ Usage of diverter handle:

Diverter handle is the upper one,

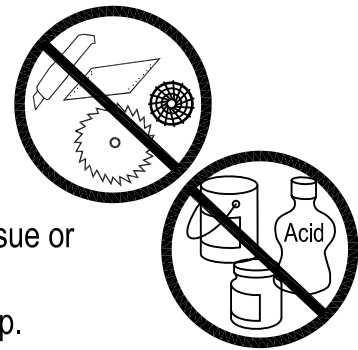
- 1) When flow sign at the top as hereunder picture 1: water is trun off .
- 2) Turn diverter handle to the left as hereunder picture 2: water comes from the overhead shower.
- 3) Turn diverter handle to the right as hereunder picture 3: water comes from the hand shower.



※Cleaning & maintainance

☆ To keep the product clean & shining, follow the steps as below:

1. Flush with clean water & dry with soft cloth only.
2. If any dirt, clean with soft liquid or transparent glass detergent.
3. Do not use any scrubbing detergent, polisher, sand-cloth, paper tissue or scraper.
4. Do not use acid detergent, indissolvable grain-like detergent or soap.



※The installation manual is only for your reference,
the final right to explain & revise is belongs to us.