



INSTALLATION INSTRUCTION

PUSH TYPE POP-UP DRAIN FOR LAVATORY FAUCET

ITEM NO.: **AB9055**

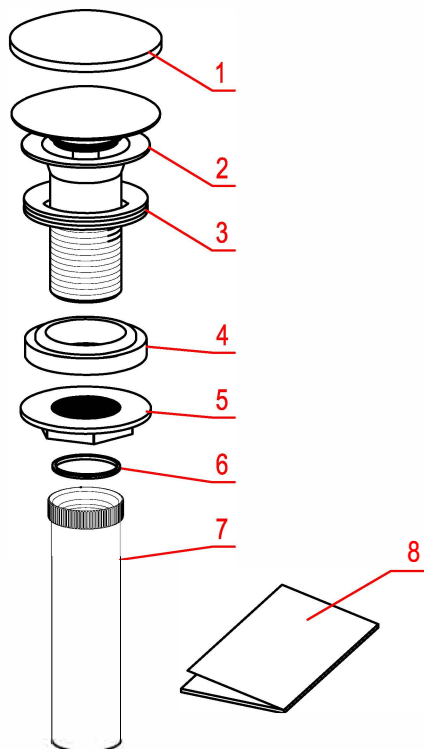
※ACCESSORIES CHECKING

LIST OF THE STANDARD ACCESSORIES:

Please double-check the accessory list hereinafter and contact our company or our distributor for any unconformity.

Remarks:

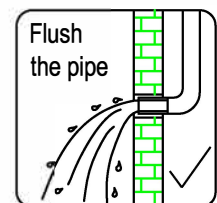
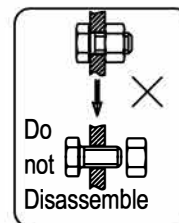
- 1, Without affecting their performing, accessories may be changed without further notice.
- 2, Drawings for reference only. Product size & shape refer to actual faucet.



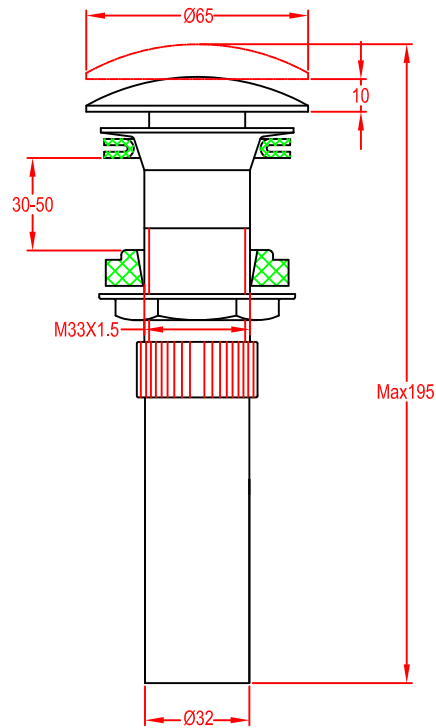
The Accessory List	Qty.
1.Plastic cover	1
2.Drain body	1
3.Washer A	1
4.Washer B	1
5.Nut	1
6.Flat washer	1
7.Drain-pipe	1
8.Installation instruction	1

※ Installation Instructions

- ☆ Do not disassemble the main body, as it has been installed & commissioned correctly & precisely before leaving the factory.
- ☆ To avoid the faucet from jamming, do flush the water pipe before installation.
- ☆ After installation, make sure every joint safely sealed & no leaking.
- ☆ The nominal water pressure is 0.05 -1.0Mpa (including cold & hot water pressure), suitable for water temperature : 4℃ - 90℃.
- ☆ Make sure to connect the hot/cold inlet pipe correctly, if standing in front, hot water pipe connecting to the left & cold water pipe connecting to the right.

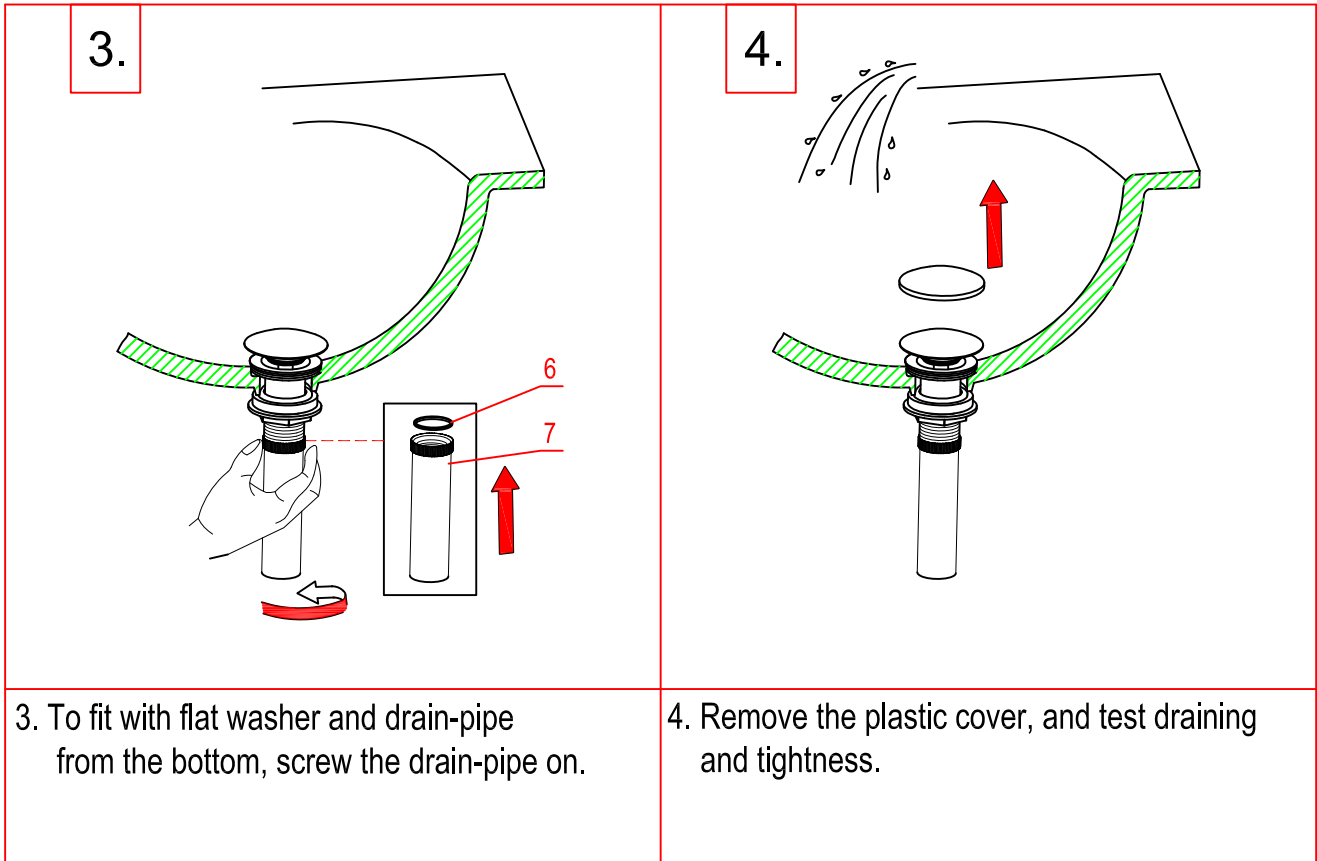


※ Dimension Drawing



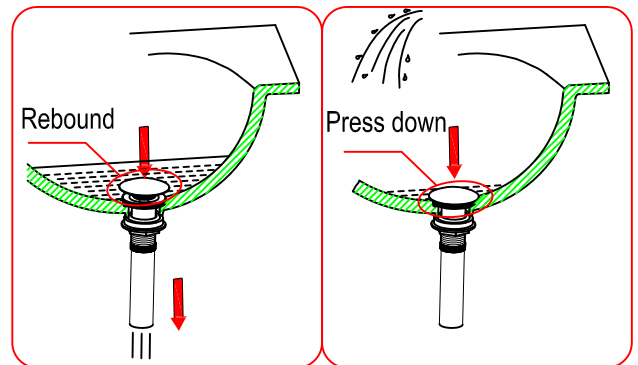
※ Installation Procedures

<p>1.</p>	<p>2.</p>
<p>1. Screw off the drain-pipe(7) and the nut(5) from the drain body(2),then take off the washer B (4).</p>	<p>2.Put the drain body through the installation hole and fix from downside with washer B(4) and nut (5) on. Fasten the nut with spanner.</p>



※ Usage:

☆ Press the cover down to reserve water, and press slightly the cover to rebound for draining.



※ Cleaning & Maintenance

☆ To keep the product clean & shining, follow the steps as below:

1. Flush with clean water & dry with soft cloth only;
2. If any dirt, clean with soft liquid or transparent glass detergent.
3. Do not use any scrubbing detergent, polisher, sand-cloth, paper tissue or scraper.
4. Do not use acid detergent, indissolvable grain-like detergent or soap.
5. Circumrotate the aerator off and clean it when necessary.



※ This installation instruction is only for your reference, the final right to explain & to revise it belongs to us.

Serial number: 80010111084