

Product Installation Manual

ZA-1E

FOR:

BD101/ZA1010、

BD302/ZA3010、

BD330/ZA3300、

BD332-1/ZA3320、

BD329/ZA3290、

BD334/ZA3340

BD379/ZB3790

BD385/ZB3850

Product Installation Manual

Installation Instruction for Washbasin with Pedestal

Before Installing

FOR:
BD101/ZA1010、
BD302/ZA3010、
BD330/ZA3300、
BD332-1/ZA3320、
BD329/ZA3290、
BD334/ZA3340
BD379/ZB3790
BD385/ZB3850

1. Realize all the stipulates for pipelines preposition for water supply and drain.
2. Make sure the wall has enough strength.
3. Read the instruction carefully to be familiar with the tools, fittings and installation procedures to prevent any unnecessary damage.
4. Check the fittings follow the fitting form and check whether there is any damage of the product.
5. Because the ceramics is easy to be damaged, please handle it gently and the nut should not be overtightened.
6. Make sure water supply has been turned off..

NOTE: 1. Refer to the newest information of the printed matter. We reserve the rights to change the features, packing and fittings of the products without notice.
2. Please keep the installation instruction carefully (including installation procedure, fitting form, trouble shooting and notice.)

Tools and Fittings (Not supplied with the product)

- | | |
|-----------------|----------------------|
| 1.monkey wrench | 5.level |
| 2.pipe wrench | 6.silicone |
| 3.tapeline | 7.water supply valve |
| 4.cutter | |

Installation Procedure

1. Put the basin onto the pedestal and adjust all the set until to the installation position.

Note: Two persons are required to work together because the pedestal and the basin are do heavy.

2. Put the level onto the basin and adjust it to make the basin level. You can move the basin if necessary.

3. Check whether the waste hole of the basin correspond to the drainage hole on the wall. Move the basin and the pedestal is necessary.

Note: Make the basin level again after moving the basin and the pedestal.

4. Mark the installing holes of the basin and the pedestal on the wall and the floor.

5. Remove the basin and the pedestal carefully.

6. Drill holes on the wall and the floor according to the screws.

Note: Make the diameter and the depth of the holes enough to install the screws.

7. Put the expansible plastic into the holes and fix the screws onto the wall and the floor. The screws onto the floor should be out about 25mm, and the screws onto the wall should be out about 34mm (PLS002 screw) or 45mm (PLS003 screw) according to the thickness of the product installing hole.

8. Install the faucet and the drainage fittings according to the installation requests and the procedures of the installation instruction.

9. Fix the pedestal onto the floor.

10. Put the basin onto the pedestal, then make the screws through the installation holes.

Note: The basin should be supported with the pedestal.

11. Cover the spacer and the nut etc. onto the screw one by one. Fasten the nut with spanner until the spacer contact the basin. Then cover the decoration cap.

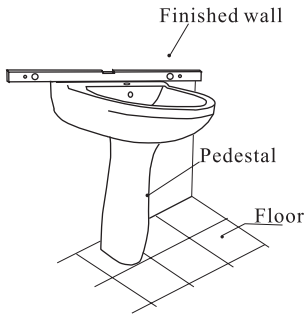
Note: Do not over fasten the nut to prevent any damage.

12. Connect the water supply and the drainage pipe.

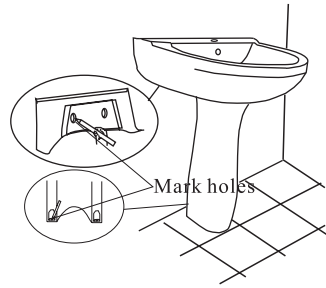
Note: if have, connect the hot water and cold water pipes according to the mark on the faucet.

13. Daub a layer of silicon on the surface of the wall the basin against, the space between the pedestal and the basin and the space between the pedestal and the floor.

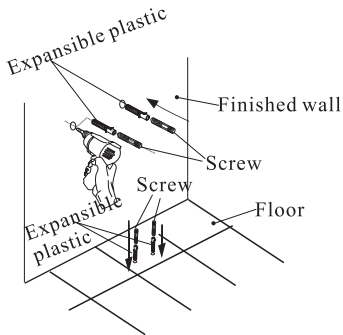
1



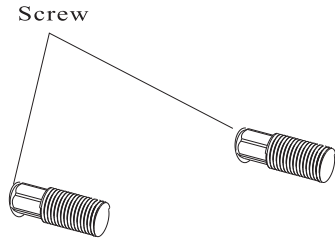
2



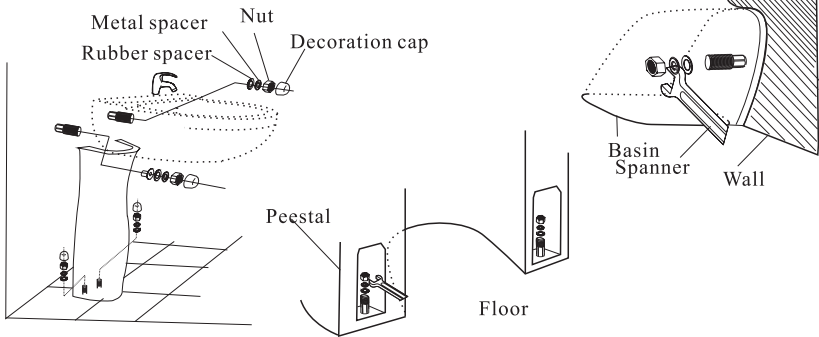
3



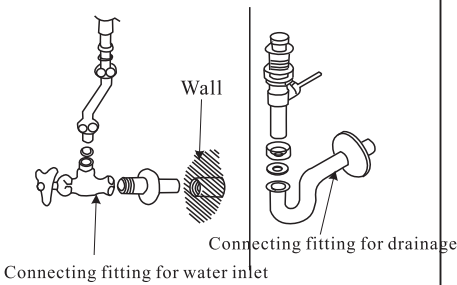
4



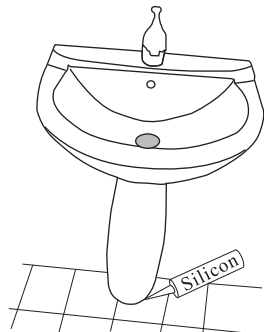
5



6



7



Troubleshooting

Malfunctions	Causes	Solutions
No water remained in the basin	1. Waste and water outlet have not been sealed. 2. gasket of adjusting valve for waste is broken.	1. Readjust and get them sealed. 2. Change the gasket.
Slow drainage	1. The angle of connecting bar is not enough 2. Water outlet has been plugged.	1. Readjust the angle 2. Clean the water outlet
The basin is overflow or smell	The drainage pipe has been plugged.	Check and clean the pipe

NOTE:

1. Do not use the basin when the water temperature is 0°C below, please stop using it when the temperature is under 0 degree centigrade, and clean away the surplus water in it, otherwise the product will be damaged when the water icing and expanded.

2. Please keep the product cleaning if it is used in hard water area.
Cleaning suggestion: once a week.

3. Do not use corrosive chemicals to clean the product to prevent any damage of glaze.