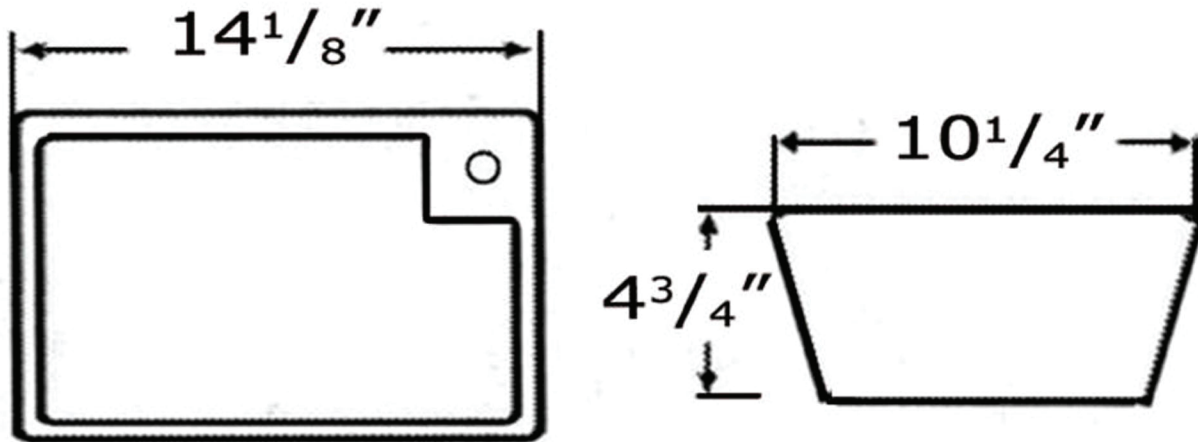


 Whitehaus®

WHKN1142



Inside Bowl Dimensions
 $12\frac{1}{2}$ " x 9 " x $3\frac{3}{4}$ "

LIVE WITH STYLE!